

ICE SPEED SKATING NEW ZEALAND INCORPORATED REGULATIONS & RACING RULES

GENERAL REGULATIONS:

101. GENERAL:

1. These Regulations and Rules govern all ice speed skating in New Zealand and are binding on all clubs affiliated to Ice Speed Skating New Zealand Incorporated, here-in-after referred to as the ISSNZ. The Board of the ISSNZ may, at its discretion, grant a dispensation by temporarily waiving or modifying certain of these regulations in respect of individual affiliated clubs where it is deemed to be in the general skating interest. The onus is on the club to apply in writing for the dispensation. When the Board of the ISSNZ temporarily waives or modifies regulations, all interested parties shall be advised not later than one calendar week prior to implementation.
2. These Regulations and Rules apply to all non resident skaters that are members of NSO's affiliated to the ISU, when training and/or competing in New Zealand.
Non resident skaters must be a member of an Ice Speed Skating Club affiliated to the NSO but are not required to be a member of an ISSNZ affiliated Club

102. ELIGIBILITY:

1 Eligibility Status

The eligibility rules of the ISSNZ are based on the principle that a person has the privilege to take part in the activities and competitions under the jurisdiction of the ISSNZ only if such person respects the principles and policies of the ISSNZ as expressed in the Constitution and Regulations and fulfils those obligations on which the ISSNZ functions and governs all its activities.

2 Definition of an Eligible Person

An eligible person is one who elects to take part, in any capacity, only in speed skating competitions sanctioned by the ISSNZ or the ISU and who has not violated in any way the Rules of the ISSNZ or the ISU.

3 Payment

A skater may receive payment for appearances, endorsements and exhibition performances and still remain eligible, provided that

- a such skater complies with any conditions established by the ISSNZ concerning such appearances, endorsements or exhibition performances, including all financial arrangements and
- b payment or any other benefits to be received by such skater are made through the ISSNZ and
- c such skater complies with all other provisions of ISU Rule 102.

103. REINSTATEMENT AS AN ELIGIBLE PERSON:

- 1 Requests for reinstatement as an eligible person may be made:
 - a Only once by the same person
 - b Submitting all relevant information in writing
2. The ISSNZ Board in approving such a reinstatement request may make such reinstatement effective immediately or delayed for a waiting period as it sees fit depending on the circumstances.

104. REGISTRATIONS:

- 1 All members of Affiliated Clubs must register with the ISSNZ. The three types of membership are:
 - a Skaters
 - b Non Skaters
 - c Officials

- 2 All members of Affiliated Clubs must register at the earlier of:
 - a 31 May in each year or
 - b when they renew their existing club membership or
 - c when they join as a new club member

- 4 Officials acting in any club or ISSNZ capacity must register at the earlier of:
 - a 31 May in each year or
 - b Two weeks before they officiate in an Unsanctioned Competition or
 - c Four weeks before they officiate in a Sanctioned Competition

- 5 Late Registrations may be considered by the ISSNZ Board on application in writing by the member Club.

- 6 Registrations shall be sent to the ISSNZ on the appropriate form and accompanied by the registration fee, if any, as determined annually by the Board..

- 7 Registered skaters must nominate the Club they wish to represent in the current year. Transfers may be considered by the Board of the ISSNZ on receipt of an application in writing by the skater concerned and signed by the Secretary of the proposed new affiliated club.

105. OFFICIALS

1. Officials for ISSNZ Sanctioned competitions and Championships shall be confirmed by the Technical Committee, two weeks prior to the Event. In the first instance officials shall be selected from the National List compiled and held by the Technical Committee.

2. The Technical Committee shall, at regular intervals, conduct seminars and training for the education of officials. These seminars shall be directed towards the improvement of the sport

3. From time to time the Technical Committee shall devise and hold examinations for the grading of officials

4. The Technical Committee shall compile a National List of Officials that shall be reviewed on an annual basis. No official shall have his name deleted from the list without first being consulted. If an official being removed from the list disagrees with the Technical Committee's decision, they may take their concerns to the ISSNZ Board for a ruling.

5. It is desirable that the Chief Referee, Assistant Referees, Starter, Assistant Starter and Competitors Steward do not officiate at a Championship, Competition or Time Trial where he is a parent/guardian, caregiver, close relative or coach of any skater competing.

106. AWARDS

1 Administrator of the Year

Nominations for this Award must be in the hands of the ISSNZ Chief Executive Officer no later than 31 July each year. The ISSNZ Board will be the selectors for this Award.

The announcement of the recipient will be made at the National Championships or at a social function held afterwards.

Criteria for this Nomination includes:

- a Takes an active leadership and administrative role in the Sport
- b Performs their role in a way that enhances the functioning of the Sport to promote and progress the development of the Sport.
- c Is a positive role model

2 Sportsperson of the Year Award

Nominations for this Award must be in the hands of the ISSNZ Chief Executive Officer no later than 31 July each year. The President, Director of Selections, and Technical Director will be the selectors for this Award.

The announcement of the recipient will be made at the National Championships or at a social function held afterwards.

Criteria for this Nomination includes:

- a Demonstrated a fair play attitude and complying with the Code of Conduct.
- b Being a role model for other skaters
- c Actively contributes to the growth and development of speed skating within their club and the community

3 Most Improved Skater

The recipient for this Award will be selected by the Officiating Referees at the National Championships.

The announcement of the recipient will be made at the National Championships or at a social function held afterwards.

4 Most Promising Skater

The recipient for this Award will be selected by the Officiating Referees at the National Championships.

The announcement of the recipient will be made at the National Championships or at a social function held afterwards.

107. CHALLENGE TROPHIES

1. The winner or winners of any ISSNZ championship to which a Challenge Trophy is attached shall be entitled to hold the trophy until one month prior to the next championship when it shall be returned to the ISSNZ in good order and condition.
2. The cost of repairing trophies damaged while in the care of the title-holder will be a charge against the title-holder.
3. It is the responsibility of the recipients Club to locate and return any National trophy by the due date. The cost of replacing a lost or damaged trophy is the responsibility of the members Club if the recipient is not contactable.
4. The cost of engraving National Trophies will be a charge to the ISSNZ.
5. No Challenge Trophies may be won outright or taken from New Zealand.

108. PRIZES:

Prizes may be provided and awarded by the ISSNZ at the discretion of the Board.

109. RECORDS

1. New Zealand record can be broken only at ISSNZ sanctioned events.
2. Original time records sheets and photo finish results, signed by the Chief Referee and Competitors Steward must be sighted by the Technical Committee before records can be ratified. All records are pending and not considered official until verified by the Technical Committee
3. Records broken will be posted on the ISSNZ website once they have been ratified.
4. Record certificates shall be awarded by the ISSNZ.
5. If a record is broken more than once in the same distance in any Competition or Championship, only the best result obtained will be recognised.
6. An Open Record is set in New Zealand by any skater, New Zealand resident or visitor. A New Zealand record can only be set by a resident of New Zealand..
7. New Zealand Residents' Overseas Record can only be set outside of New Zealand – three groupings shall apply:
 - a International Junior – Men and Women (the current ISU age groupings apply)
 - b International Senior – Men and Women
 - c International Veteran – Men and Women
8. A record can be claimed only when a skater has competed in an event of the same grade as that being claimed. – i.e. a junior skating in a senior event may only claim a senior overseas record.
9. Notification of any claim must be made to the Technical Committee and include the name of the competition, the place, the date and the grade in which the record is being claimed. If the result of the competition cannot be verified via a protocol posted on the internet, a copy of the protocol must be provided.

110. ANTI-DOPING

The Anti-Doping Rules follows DFSNZ, ISU and WADA requirements.

Anti-Doping Rules:

The following documents make up the Anti-Doping Rules:

- a the current DFSNZ Anti-Doping Rules and
- b the current ISU Anti-Doping Rules and
- c the New Zealand Olympic Committee and IOC Anti-Doping Rules

Application of Rules:

The Anti-Doping Rules shall apply to:

- a all skaters who are within the jurisdiction of ISSNZ and affiliated clubs
- b all coaches and support personnel within the jurisdiction of the ISSNZ and affiliated clubs
- c all other persons who have acknowledged in writing that they are bound to the ISSNZ rules or are bound through membership of the ISSNZ

111. ACCIDENTS OR INJURIES:

1. The ISSNZ do not accept any liability for damages or injuries sustained by skaters or officials
2. For each Sanctioned Competition and National Championship, a safety committee shall be appointed by the Technical Committee, with guidelines for the committee set out before the Championship starts.
3. Registered First aid personnel are required at all ISSNZ Sanctioned Events

112. EQUIPMENT:

1. All Skaters in every grade must be equipped with:
 - a Safety headgear that must have a regular shape and may not have protrusions.
 - b Gloves or mitts of leather or synthetic non woven material.
 - c Shin protection.
 - d Neck protection
 - f Padded or padded hard shell knee protection.
 - g Full bodysuit or similar which must be close fitting and with no areas of skin exposed other than the face.
 - h All speed skates must have the tubes closed and the blade ends must be rounded off, with a minimum radius of 10mm. Blades must be fixed to the boot at a minimum of two points with no moveable parts.
 - i As a safety precaution, all skaters with long hair must wear it tied up or braided
2. The heat box steward shall determine whether a skater has respected the safety conditions regarding equipment, so that they can start the race. Skaters whose equipment is not in compliance with this rule will be excluded from participation.
3. A skater who removes his equipment before leaving the ice at the conclusion of the race, shall be penalized.

113. RACING SUITS:

A skater may not enter any competition or championship wearing a New Zealand representative suit to which they are not entitled. Replica suits also may not be worn.

114. ADVERTISING AND PROMOTION:

1. Within New Zealand, Trademarks may be worn by competitors that shall be dignified and worn as follows:
 - a The maximum surface area for a single trademark shall be 45cm on the upper body and 250cm on the lower body. No advertising markings other than manufacturers' trademarks are allowed on the technical equipment, such as skates/boots, glasses, gloves and helmets.
 - b Skaters intending to race in overseas championships or competitions organised under the auspices of the ISU, should refer to the ISU Rule 102. 6.

COMPETITIONS AND CHAMPIONSHIPS

120. SANCTIONED EVENTS:

- 1 Any Competition or Championship at which a New Zealand Record can be certified must be an ISSNZ Sanctioned Event.
- 2 All Competitions and Championships organised by the ISSNZ will be a sanctioned Event.
- 3 To be a Sanctioned Competition the following conditions must apply:
 - a Electronic timing must be used. In the event of the failure of the electronic timing, the manual time plus .02 second may be accepted.
 - b Manual timekeeping must be used throughout the competition to accommodate electronic failure
 - b The following officials must be appointed from the National List:
 - (i) At least one Referee
 - (ii) Starter
 - (iii) Competitors Steward
 - (iv) Lap Scorer
 - c Distances to be skated in the various grades must be from ISSNZ Regulations
 - d The track to be used must be a standard 111m track on a rink no smaller than 56 x 26 metres.
 - e Clubs organising a competition that they require to be a sanctioned event must provide the Technical Committee with full details in writing, verifying that all of the required conditions have been met.
 - f The Technical Committee will make a recommendation to the Board that sanction is to be granted or declined.
 - g The Board will notify the club concerned of its decision not less than 1 week prior to the commencement of the event.
 - h If a club withdraws its Announcement of a Sanctioned Competition it must immediately inform all competitors and officials and give its reasons for the cancellation to the Board within eight days of the withdrawal.

121. NATIONAL CHAMPIONSHIPS:

1. The suggested date and venue for the National Short Track Championships may be announced at the conclusion of the previous years Championships and shall be confirmed at the following Annual General Meeting.
- 2 The Announcement of the National Championships shall include all relevant information and shall be sent to clubs not later than 1 June each year
3. The ISSNZ shall have the power to enter into agreement with the Club or Organisation at whose rink the Championships are to be held; the agreement to include:
 - a a budget, cost allocation and responsibility
 - b volunteers (other than skating officials),
 - c competitors changing rooms
 - d a room for the officials
 - e a competition operational plan
 - f the prize giving function
 - f a procedure document to cover any contingencies ie cancellation

122. ENTRIES, FEES AND CLOSING DATES OF ENTRIES FOR NATIONAL CHAMPIONSHIPS AND COMPETITIONS:

- 1 Entry fees shall be set by the Board
- 2 The closing date of entries shall be set by the Technical Committee and all clubs shall be notified not less than 30 days prior to the closing date.
- 3 All completed entry forms including fees, shall be sent via the clubs to the ISSNZ.
- 4 Entries shall be posted to the ISSNZ address or sent via electronic mail and must be received by the advertised closing date.
- 5 Entries must be on the official form signed by the entrant or their parent/guardian.
- 6 Where an event has an age qualification, the entrants' birth certificate must be produced on request.
- 7 Incomplete forms will be returned to the appropriate club secretary for amendment. They will be accepted as being filed by due date if returned to the ISSNZ within seven days.

123. WITHDRAWAL

Withdrawal of an entry is permitted before the closing of entries. After the closing of entries any skater withdrawing will not be entitled to a reimbursement of entry fees, except if the withdrawal is on medical grounds. Such withdrawal is permitted up to but not including the day prior to the first competition race, subject to the provision of a medical certificate from a registered medical practitioner

124. POSTPONEMENT OF DATE OF CHAMPIONSHIPS

- 1 Postponement of the date of a Championship or Competition necessitates an extension of the date for the closing of entries for a corresponding period.
- 2 Where possible Clubs entering competitors must be notified at once of the postponement so as to allow the withdrawal of entries before the new due date for the closing of entries
- 3 If a Championship or Competition is cancelled the entry fees shall be returned to the Competitors

125. PARTICIPATION IN CHAMPIONSHIPS AND COMPETITIONS:

1. All ISSNZ events are open to skaters who belong to a club affiliated to the ISSNZ.
- 2 Non resident skaters visiting may participate provided they furnish written permission from their own National Association.
3. Invitations may be extended by the ISSNZ to members of non affiliated New Zealand clubs to participate in ISSNZ events, excluding championships.

126. OFFICIALS:

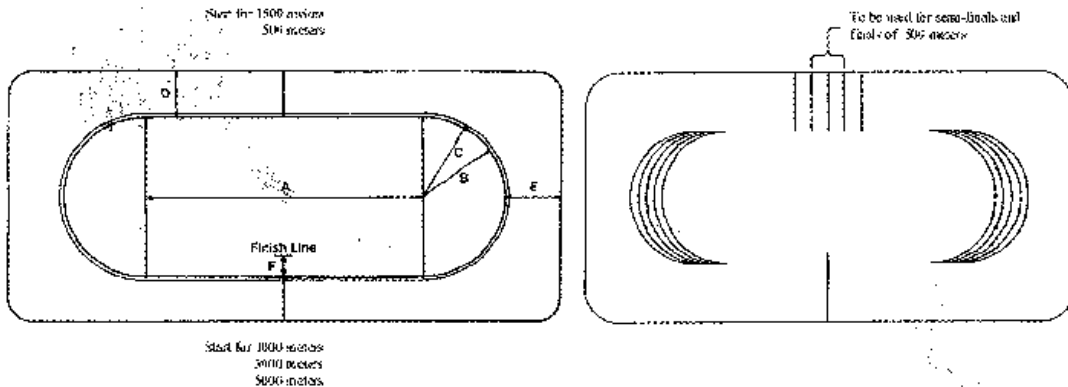
The following officials are deemed necessary for all Championships:

111m Track:

- a) Referee
- b) Assistant Referees (at least two)
- c) Starter
- d) Assistant Starter
- e) Competitors Steward
- f) Heat Box Steward
- g) Chief Finish Line Judge
- h) Finish Line Judges (at least 2)
- i) Chief Timekeeper
- j) Timekeepers (as per rule 213a.)
- k) Lap Scorer
- l) Lap Recorder
- m) Track Stewards (2 required)
- n) Time Recorder

127. STANDARD TRACK 111m

1 Standard Track 111m



Track 60 x 30 meters rink

A = Length of straight	28.85 meters
B = Curve	8.60 meters
C = Measuring curve	8.50 meters
D = Straight width	7.00 meters minimum
E = Width from apex block	7.57 meters
F = Actual width of straight	+ 0.5 meters

111.2 meters track

2 x A	57.71 meters
2 x 8.50 x π	53.41 meters
One lap =	111.12 meters

Laps in different distances:	1000 m = 9 laps	3000 m = 27 laps
	500 m = 4 1/2 laps	1500 m = 13 1/2 laps
		5000 m = 45 laps

- 2 The demarcation of the tracks and the turns should be indicated with coloured markings and/or moveable blocks of rubber or other suitable material.

128. MEASUREMENT OF THE TRACK:

1. The course must be measured by a qualified surveyor or competent official appointed by the Technical Committee detailed for the purpose, who must also fix the correct position of all starting and finishing lines. A protocol signed by the surveyor or member shall be handed to the Referee before the start of the event.
2. A measuring tape at least 30 metres and preferably 100 metres long shall be available during the competition.

129. CHAMPIONSHIP DISTANCES:

1. If distances not listed below are held, they will be considered non championship events.
2. In addition to titles for individual distances, an overall title shall be awarded.
3. The order of the races will be the second longest distance shall be skated first followed by the shortest distance, then the second shortest distance followed by the longest distance.
4. 111m Track

Listed below are the championship distances which may be competed for in the various grades. Those distances which are underlined are the distances which will be competed for at the National Championships.

- a) Masters Men: 500m, 800m, 1,000m, 1,500m, 3,000m
- b) Veteran Men: 500m, 800m, 1,000m, 1,500m, 3,000m
- c) Senior Men: 500m, 800m, 1,000m, 1,500m, 3,000m
- e) Junior Men: 500m, 800m, 1,000m, 1,500m
- f) Sub Junior Men: 222m, 500m, 800m, 1,000m
- g) Juvenile Boys: 111m, 222m, 333m, 500m
- h) Primary Boys: 111m, 222m, 333m
- j) Masters Women: 500m, 800m, 1,000m, 1,500m, 3,000m
- k) Veteran Women: 500m, 800m, 1,000m, 1,500m, 3,000m
- l) Senior Women: 500m, 800m, 1,000m, 1,500m, 3,000m
- m) Junior Women: 222m, 500m, 800m, 1,000m, 1,500m
- n) Sub Junior Women: 111m, 222m, 500m, 800m, 1,000m

- o) Juvenile Girls: 111m, 222m, 333m, 500m
- p) Primary Girls: 111m, 222m, 333m
- q) Relays:
 - Masters: 3,000m
 - Veteran: 3,000m
 - Men: 3,000m or 5,000m
 - Women: 1,000m, 3,000m
 - Open: 3,000m or 5,000m
 - Junior: 1,000m, 3,000m
 - Sub Junior: 1,000m
 - Juvenile: 1,000m

nb: All teams with the exception of the Mens' and Womens' events may be of mixed gender.

130. GRADES:

The following grades apply to both male and female skaters.
Skaters must not have reached the age restriction before the original first day of the competition.

1. **Gold Masters**

The Gold Masters grade is open to skaters who have reached the age of 65 years.

2. **Silver Masters:**

The Silver Masters grade is open to skaters who have reached the age of 55 years

3. **Masters**

The Masters grade is open to skaters who have reached the age of 45 years

4. **Veteran**

The Veteran grade is open to skaters who have reached the age of 35 years

5. **Senior:**

The Senior grade is open to skaters who are 19 years and over.

6. **Junior:**

The Junior grade is open to skaters who are under the age of 19 years

7. **Sub Junior:**

The Sub Junior grade is open to skaters who are under the age of 15 years

8. **Juvenile:**

The Juvenile grade is open to skaters who are under the age of 12 years

9. **Primary**

The Primary grade is open to skaters who are under the age of 9 years.

10. **Other Grades:**

For events other than National Championships, additional grades for novice skaters may be included.

131. ENTRY RESTRICTION:

1. A skater must compete in the grade for which he/she is eligible.
2. A skater may compete in one additional grade
3. The additional grade skated must be higher than their eligible grade, except in the case of veteran and above, who may also skate any other grade for which he/she is eligible..

132. COMPETITORS:

1. A Grade with a single entry may be combined with another grade provided that the same distances are raced and no heats are necessary. However, combining the grades is at the discretion of the Chief Referee and Competitors Steward. The racing regulations including sanctions still apply. Skaters competing in combined grades will still be eligible to take the title and record of the originally entered grade.

2. Semi final and final events of 500m and 1,000m shall have up to four skaters on the start line. For the 1,500m distance there shall be up to six skaters on the start line. Semi final and final events for sub junior and below may have six skaters on the start line for 800m and 1,000m distances only.
The exception would be an advancement from an earlier round of the distance.
3. Championships may be conducted through a series of finals but if this method is used, it shall be decided by the Technical Committee and must be detailed in the announcement of the competition.
4. Names of relay team members must be in the hands of the competitors steward prior to the commencement of the days racing. Late changes will be at the discretion of the referee.

133. CONDUCT:

1. Competitors must obey implicitly the instructions of the officials in charge of the competition and if a competitor does not do this, he or she may be subject to sanctions set out in the ISSNZ Constitution..
2. If at any championship or other event organised by the ISSNZ or any affiliated club, any competitor, coach or official behaves in an improper manner or encourages other person/s to behave in an improper manner, then the Referee may, by the showing of a yellow card, exclude such person/s from further participation in the event.
3. Officials acting on behalf of the ISSNZ at championships, competitions or other official functions, shall conduct themselves in a dignified and professional manner at all times.
4. Officials shall not criticize the results of a competition or other officials whilst within the hearing of the general public or the competitors.

134. WARMING UP:

Unless the Referee specifically stipulates to the contrary, no skater shall skate on the track after laying out and before or between events for warming up or practice.

135. STARTING TIMES:

A proposed schedule of events including the start time of each day of the competition accompanied by the list of entrants will be advised to clubs ten (10) days prior to the event.

136. STARTING PROCEDURE:

Refer to the current ISU Special and Technical Regulations. Rule 298. 4.

137. STOP WATCHES – PHOTOFINISH

Stopwatches

- a a minimum of three timekeepers on first, two on second, two on third and one on fourth and reserves as available are required for all championships and competitions..
- b Each timekeeper may use only one stopwatch.
- c When for one competitor, two stopwatches register the same time and the third one differs, the time of the two watches showing the same time shall be taken.
- d When all three watches show a difference, the middle time shall be taken.
- e there are only two watches on a competitor and the watches show a difference, the mean time shall be taken.
- f When digital watches are used the time will be recorded in hundredths of a second.
- g The timekeepers must not clear their watches until such time as they have been instructed by the chief timekeeper.
- h The time of each timekeeper shall be recorded and all times submitted to the officiating Competitors Steward.

Photofinish Equipment

Electronic equipment capable of producing an image of the finish and the times of the competitors shall be used. Times shall be produced in thousandths of second.

138. INDIVIDUAL RACING RULES:

For racing rules please refer to the current ISU Special and Technical Regulations. Rule 297. 1 and 2.

139. RELAY RULES:

1. Teams shall consist of three or four competitors.
2. Each of the team members must take part in the race
3. All members of the team must be recognisable as a team. Teams which do not comply with this shall be excluded from participation. Where skaters are visiting from overseas however, they may enter the relay as a "Country" team provided that they are all citizens of the same country.
4. A competitor in the race will be responsible for the team until that skater is relayed by a team member. Relaying will be by touch, that is to say a competitor will not be in the race until they have been touched by, or has touched the competitor he/she is relieving.
5. A competitor may be relayed at any time except during the last two (2) laps. These laps must be skated by one skater. A warning shot will be fired to indicate the start of the last three (3) laps.
6. In the case of a fall during the last two laps, the skater may be relayed.
7. The individual racing rules, paragraph one and two, shall apply to relay races, that is to say for all members of the team, both participating and relayed team members.
8. Relay Infringements:
Refer to the current ISU Special and Technical Regulations. Rule 297.4.

140. POINTS:

1. Final points will be awarded in final races only. No points will be awarded to skaters or teams in the case of disqualification or failing to finish the race.
2. The points 34, 21, 13, 8, 5, 3, 2, and 1 are awarded in descending order commencing with the first place.
3. In the case of a tie, the points are determined by combining the points of the positions involved and equally distributing them to the respective participants.
4. Seeding points will be awarded in all races. In awarding of Seeding Points the same rules apply as in awarding Final Points.
5. For the final classification, the skaters will be ranked first according to their total of Final Points. Following those, the skaters who have scored Seeding Points only will be ranked and those skaters who have participated but scored no Seeding Points will be shown last in the final classification.
6. In the event where preliminary rounds are skated and there is a tie in the Final Points, the seeding points will break the tie. Where there is a tie in Seeding Points, the best result in the last distance skated will break the tie. Where there are no preliminary rounds in the event and there is a tie in the Final Points, the best result in the last distance skated will break the tie.
7. For the Dan Mellamphy Trophy, a competitor shall gain Club points from first round races only. A competitor competing in more than one grade shall only gain points from the grade of their respective age group. Skaters in the Novice event do not gain club points. Points from championship relay races shall also be included.

141. SANCTIONS FOR INFRINGEMENTS OF THE RACING RULES:

There are three types of sanctions:

- 1) Penalty (disqualification): In the case of an infringement of the racing rules, a skater / relay team will be disqualified from the race in which the infringement occurred and will be excluded from the next round of the distance concerned. The skater / relay team will forfeit the points/results accrued in that race alone.

2) Yellow Card: If an infringement of the racing rules is deemed by the Referee to be unsafe, harmful or hazardous, a yellow card will be shown to the infringing skater. The skater/ relay team will be disqualified from the race in which the infringement occurred and excluded from participating in the next round of the distance concerned. In addition, the skater / relay team will forfeit points accrued in all races over the distance concerned.
Any skater shown a yellow card twice in the same competition will be sanctioned with a red card and will be excluded from the competition immediately and will not be ranked in the final classification.

3. Red Card: In the case of an infringement which is deemed by the referee to be intentionally dangerous or grossly negligent, the skater will be shown a red card.

For any action, either on or off the ice, not in compliance with the Code of Conduct, a red card may also be shown to the person committing the action.

A skater who is shown a red card will be excluded immediately from the competition and will not be ranked in the final classification. If a skater is shown a red card in a relay race, that skater's relay team will be excluded immediately from the relay competition and will not be ranked in the final relay classification. Individual sanctions for the skater(s) concerned will also apply.

The Referee will file a written report to the Technical Committee concerning any skater who is shown a red card.

If a skater has accumulated two (2) red cards within 12 months, that skater will be excluded from the next New Zealand Championship and will be reported to the ISU.

- 4) If in the opinion of the referee and his assistants, the skaters are "not racing" they shall stop the race, declare "no contest" and may give a penalty to the competitor(s).
- 5) If during a race, any irregularity that may affect the result does take place, the referee may stop the race and order an immediate restart of the race. If the distance has been completed, the referee may order a rerun of the race after respecting the rest time. If any of the skaters / relay teams have been sanctioned for conduct occurring before the race is stopped, then such skater(s) and the skater's relay team (if the race is a relay race) will not take part in the rerun.
- 6) Any skater who deliberately caused the race to be stopped will not be allowed to take part in the restart. This does not apply to the starting procedure. The result of the skater(s) excluded for this reason from a restart will show as "no finish".
- 7) Sanctions under this rule must be communicated at the end of each race to the skater(s) team coach or team leader, competitors steward and over the public address system for the benefit of the spectators, specifying the details of infringement and whether there was any advancement.

142. PROTESTS:

1. Protests can only be considered against the following:
 - a Composition of the heats
 - b Eligibility of the competitors
 - c Eligibility of the officials.
2. Protests may be lodged only by a competitor through their Team Leader.
3. The Referee decides on all protests. There is no appeal from his decision except according to Rule 143.
4. If a mistaken result is announced for any championship or competition the true result must be publicly communicated as soon as possible and the records amended accordingly.
5. Protests against a decision concerning infringement of the racing rules will not be accepted.

143. APPEALS:

1. An appeal can be made to the Board of the ISSNZ only against decisions which concern the eligibility of a competitor, the composition of the committee organising the event or the eligibility of the officials and only in cases where these regulations or the Constitution have been contravened.
2. Appeals can be lodged only by those entitled to lodge protests (see Rule 142 2.)